

TOOLHOLDING | WORKHOLDING | SUB-CONTRACT MACHINING



**CRAFTSMAN
TOOLS**

Collaborating with the World's Finest

Building on Success

Quality

- Our reputation for design and manufacturing excellence is unsurpassed.
- We pride ourselves on our quality levels, which exceed ISO 9001:2000.
- A programme of ongoing investment in our facilities and our people enables us to stay at the head of the field.
- We are a creative and innovation-led company, committed to cutting edge Research and Development.

Diversity

- 40% of our business comes from international sales - we are a truly global company.
- In-house 3D-CAD design facilities enable us to produce both standard and bespoke products.
- Our expertise spans a wide range of sectors, including **Oil Exploration, Aerospace, Machine Tool Manufacture, Automotive, Electrical and Power Generation.**

Reliability

- Long-term relationships with respected market leaders are sustained by our dependable, high quality service.
- An ever-expanding customer base is allowing us to achieve consistently high levels of growth.
- As a long-established family-owned business, our stability helps us to build confidently for the future.



Our products and services are grouped into the following areas:

TOOLHOLDING

Holders for Mazak, Okuma, Doosan, Mori Seiki, Haas and many other manufacturers; Coromant Capto® quick-change holders; Power-Driven holders; Integrated Coromant Capto® turrets; Split boring bar holders and sleeves.

WORKHOLDING

Expanding Mandrels; Collet Chucks; Cubes; Extended Tee-brackets; Triforms; Fixturing solutions; Rotating and Dead Centres.

SUB-CONTRACT MACHINING

The latest multi-axis CNC machines; complete supply chain management solutions - sourcing, machining, finishing, pressure testing and NDT.

For information on our facilities and equipment, see our [plant list](#) or visit our [website](#).



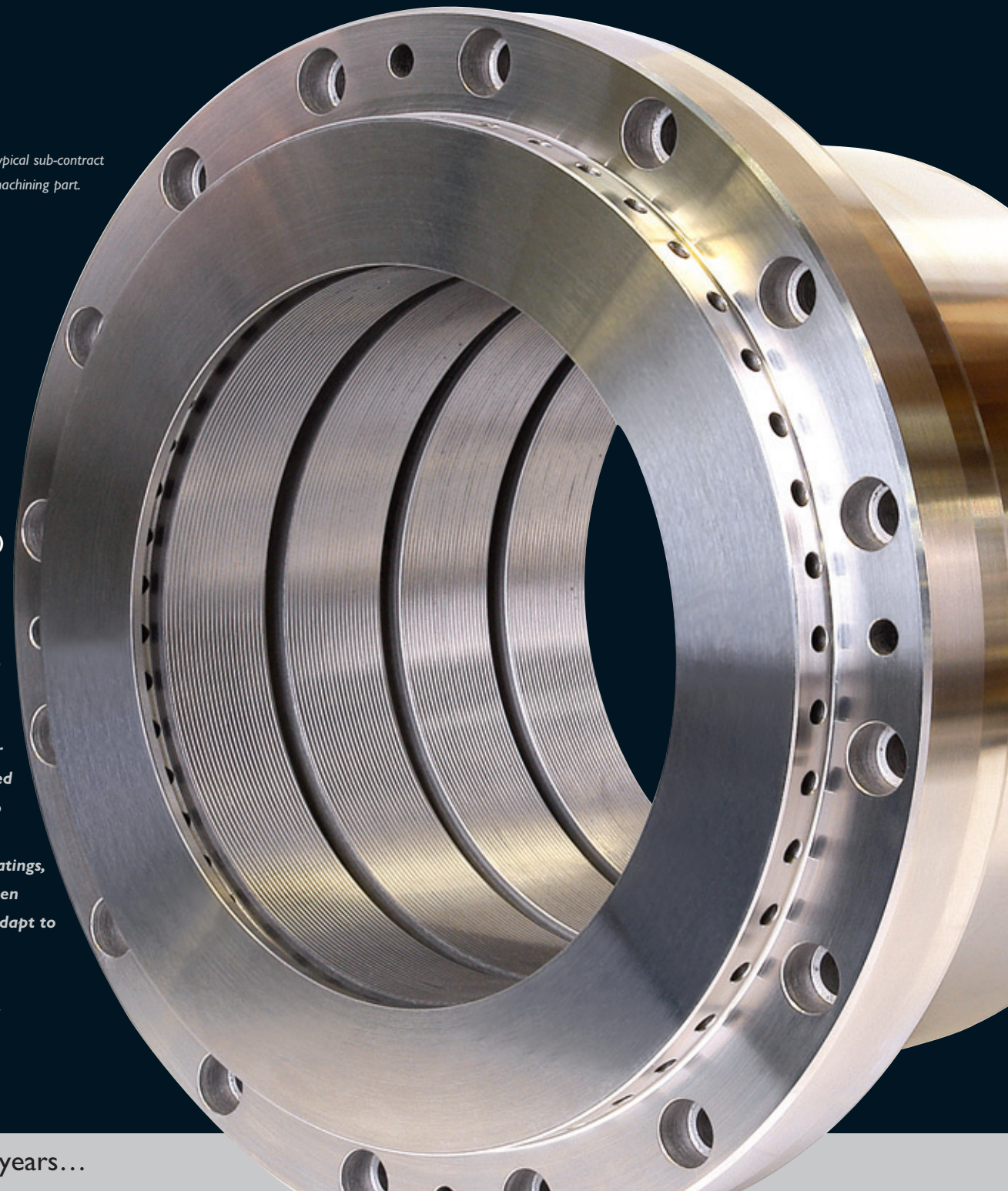
**CRAFTSMAN
TOOLS**

Typical sub-contract machining part.

Sulzer Pumps (UK)

"We have worked in partnership with Craftsman Tools since 1996 and have used an ever-increasing range of their services. As our requests have evolved from simple parts to large complex components and coatings, they have always been flexible enough to adapt to our needs."

Bob Foulkes
Commercial Director



Craftsman Tools has been a leader in toolholding, workholding and sub-contract machining for more than 55 years...

Continuing Investment

In Our People

- 50% of our team have been with Craftsman for over ten years. This stability has allowed us to develop a depth of expertise, knowledge and skill that is second to none.
- Our apprentice programme ensures that this collective experience and expertise will remain in the company.
- Consistent growth has allowed us to add to our knowledge base by regularly recruiting skilled and experienced new people.
- We provide excellent working conditions to help our team achieve the levels of quality and productivity demanded by our customers.

In State-of-the-art Equipment

- Continuous investment in the latest equipment ensures that our capacity and capabilities match our customers' needs and expectations.
- Our Research and Development facilities provide our customers with innovative, creative and cost effective solutions.
- These investment policies have allowed us to expand our business, with strong year on year growth.
- Disciplined planning processes, developed in partnership with our customers, give them confidence and safeguard our future.

In Our Customers

- Many of our customers are global players; we understand the pressures and demands of servicing international markets.
- We are sensitive to the effects on our customers of changing economic circumstances, and can respond quickly and effectively to new situations.



Collet type work driver for crankshaft grinding.

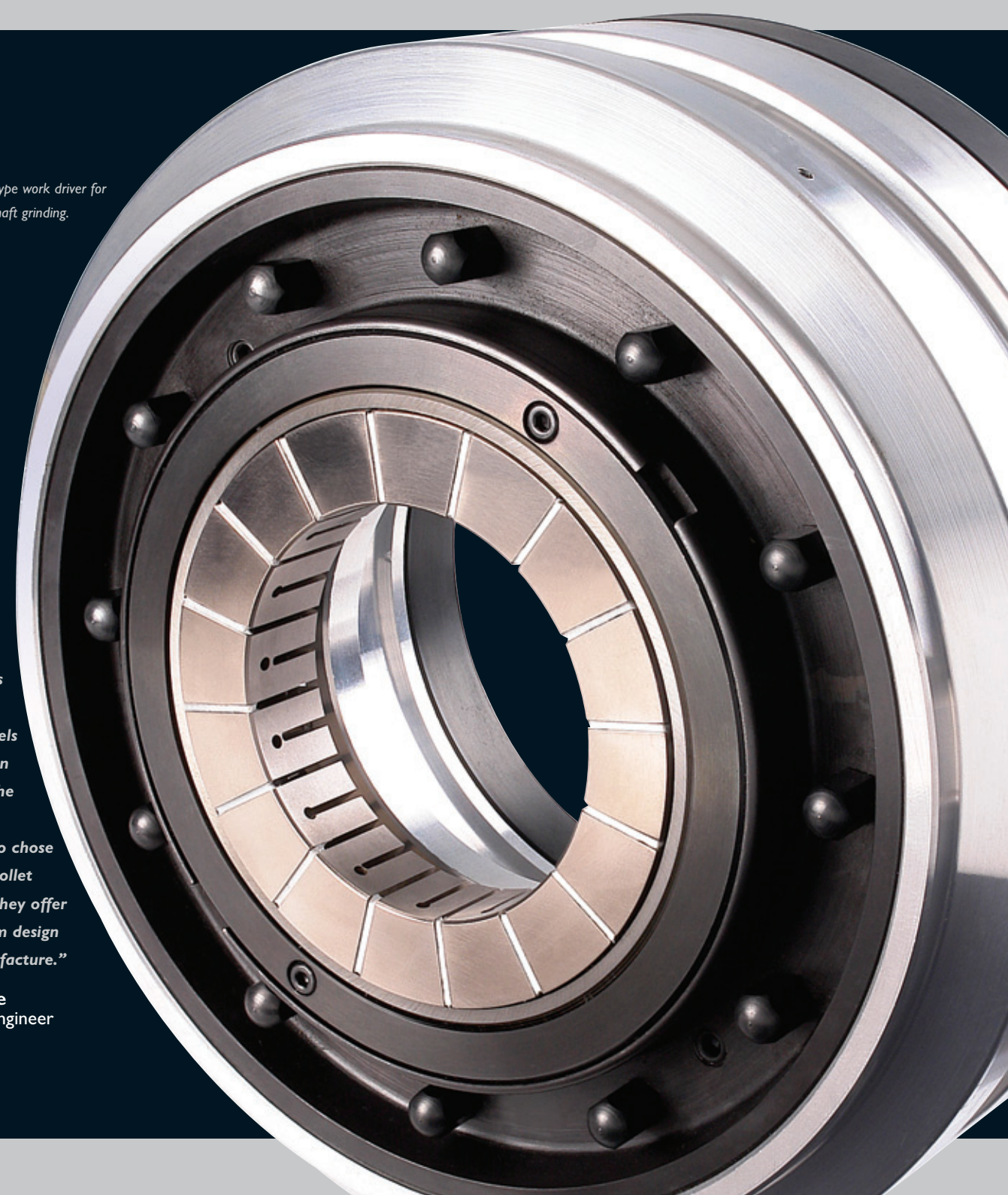


**CRAFTSMAN
TOOLS**

BAE Systems

"Craftsman Tools has provided a variety of mandrels and we have been impressed with the quality of their products. We also chose them to supply collet chucks because they offer a full service from design through to manufacture."

Andrew Cassie
Manufacturing Engineer



...and we intend to stay in the lead for the next 55 years...

Culture of Partnership

Focus

- Craftsman Tools operates a cellular manufacturing structure, each cell focusing on a specific product group and customer.
- This system allows transparent monitoring and traceability.
- Flexible, easily controlled processes are created that enable a quick response to customer needs.
- Managers develop 1-to-1 relationships with customers and an in-depth knowledge of their products and requirements.
- Every member of the cell feels an ownership and an accountability for their products and their customers.

Integrity

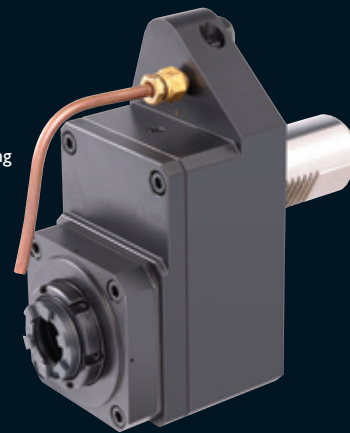
- Despite our growth, we remain a company whose philosophy is centred on the fact that good people, well looked after, will operate with pride, and to the highest levels of skill, quality and integrity.

- We ensure continuing exposure and accessibility to existing and potential customers by attending key exhibitions around the world and holding regular meetings at client sites and our own premises.

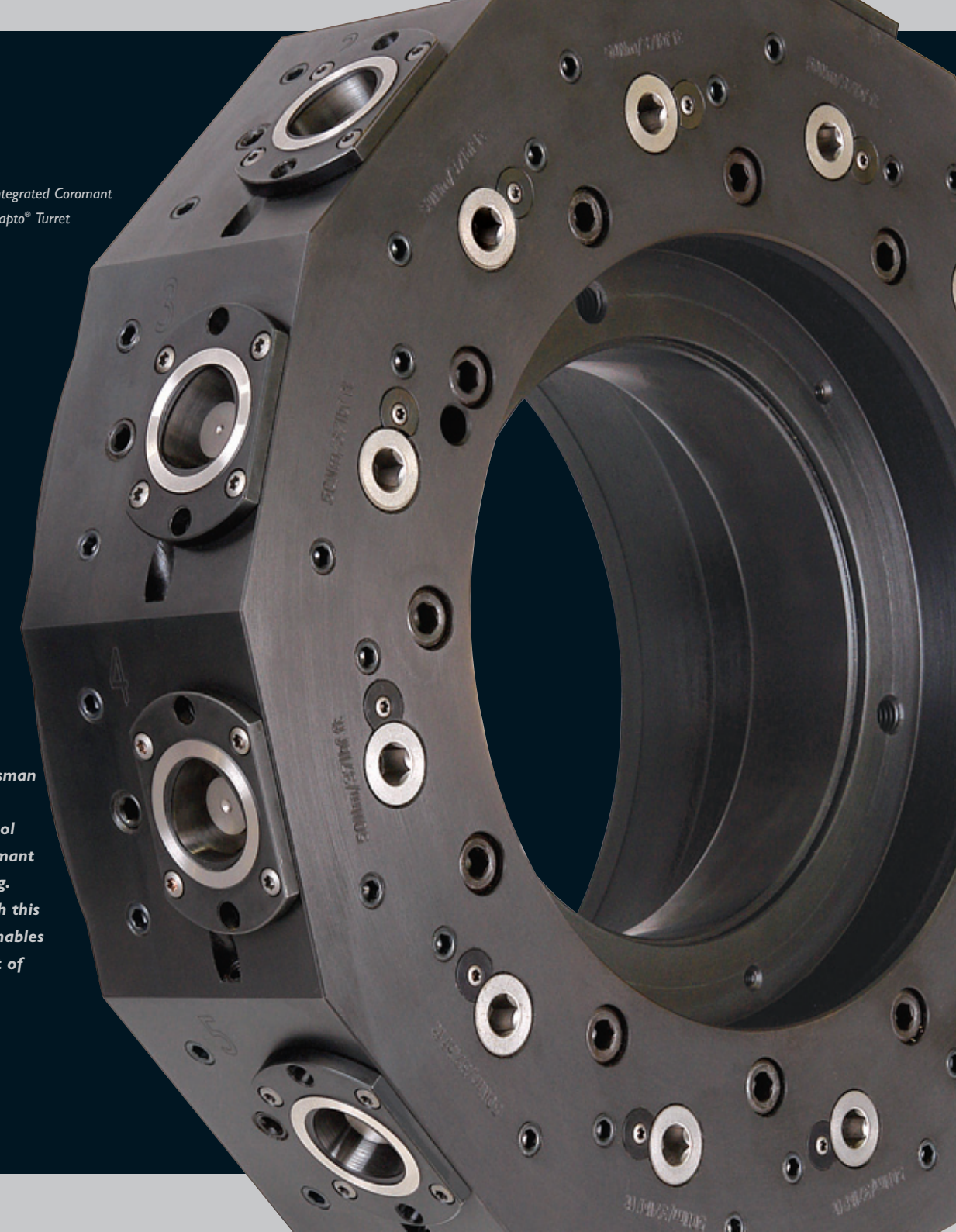
- We adopt a pro-active approach to helping our customers find solutions to the challenges they face.

Commitment

- We work with most of the largest machine tool manufacturers in the world, including **Haas, Mazak, Mori Seiki, Doosan Daewoo and Okuma.**
- Our ongoing collaboration with **Sandvik Coromant**, a world leader in Tooling, has resulted in an extensive range of products featuring the groundbreaking Coromant Capto® tool holding system.
- We enjoy successful partnerships with major players in the Oil, Gas and Power Generation industries, including **Cameron, Petrowell, Schlumberger and Sulzer Pumps.**
- We retain the trust of these highly respected companies because of the commitment and support we offer them in maintaining their positions as market leaders.



Integrated Coromant
Capto® Turret



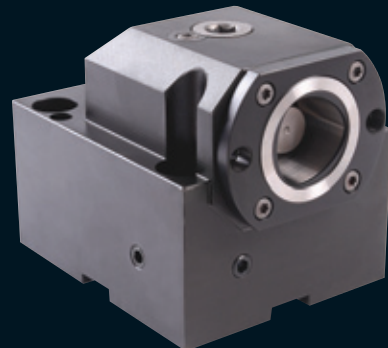
Sandvik Coromant

"In 1998 we awarded Craftsman Tools a licence to design, manufacture and market tool holders incorporating Coromant Capto® quick change tooling. Our close collaboration with this key international partner enables the continuing development of these successful products."

Ronald Schreiber
Manager - Tooling Systems



**CRAFTSMAN
TOOLS**



...by maintaining our long standing and successful relationships with our customers.



**CRAFTSMAN
TOOLS**

Craftsman Tools Limited

Side Copse, Pool Road, Otley, West Yorkshire LS21 1JE U.K.

T: +44 (0)1943 466 788 F: +44 (0)1943 850144

E: sales@craftsmantools.com

www.craftsmantools.com